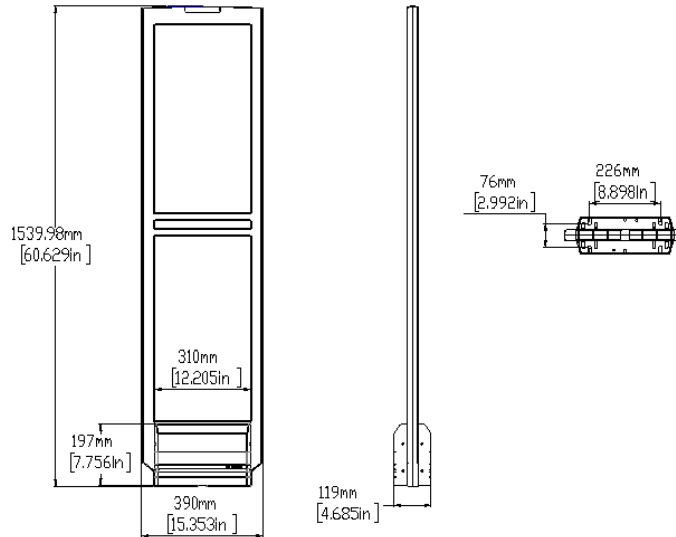


# Specification Sheet

## AMF10



Product Description:	AMF10
Part No (PSB, External Antenna):	10150622
Part No (SSB, External Antenna):	10150623
Dimensions Total Antenna (HxWxD):	1.54m x 0.39m x 0.12m (60.63" x 15.35" x 4.72")
Dimensions Base Cover (HxWxD):	0.2m x 0.31m x 0.04m (7.87" x 12.2" x 1.57")
Approx Weight	5.6kg (12.35lbs)
Mains Power Requirements:	100-240 vac; 1.5A @50-60Hz
Power Consumption (typ. per controller):	Typical: 10W @ 120V, 15W @240V
Power Consumption (max):	Max: 50W @ 120V and 240V
Operating Temperature:	0° to 40° C (32° to 104° F)
Frequency Technology:	AM
Frequency Ranges:	58kHz
Antenna Safety:	CB; UL/cUL
Emissions Safety:	FCC/IC; CE
Materials used:	Antenna Body - ABS Antenna Base - ABS
Color:	Antenna Body - White Antenna Base - Grey
Maximum distance between 2 frames*	2.1m (6'10")
Detection Area on each side of single frame	1.0m (3'3")

\* Reference Data - Checkpoint EP 410 label (depending on environment)

All rights reserved © Checkpoint Systems Inc. Thorofare, USA 2020  
 All information and illustrations are intellectual property of Checkpoint Systems, Inc.  
 Any copying, reprinting, manipulating or publishing in part or in whole is strictly prohibited.